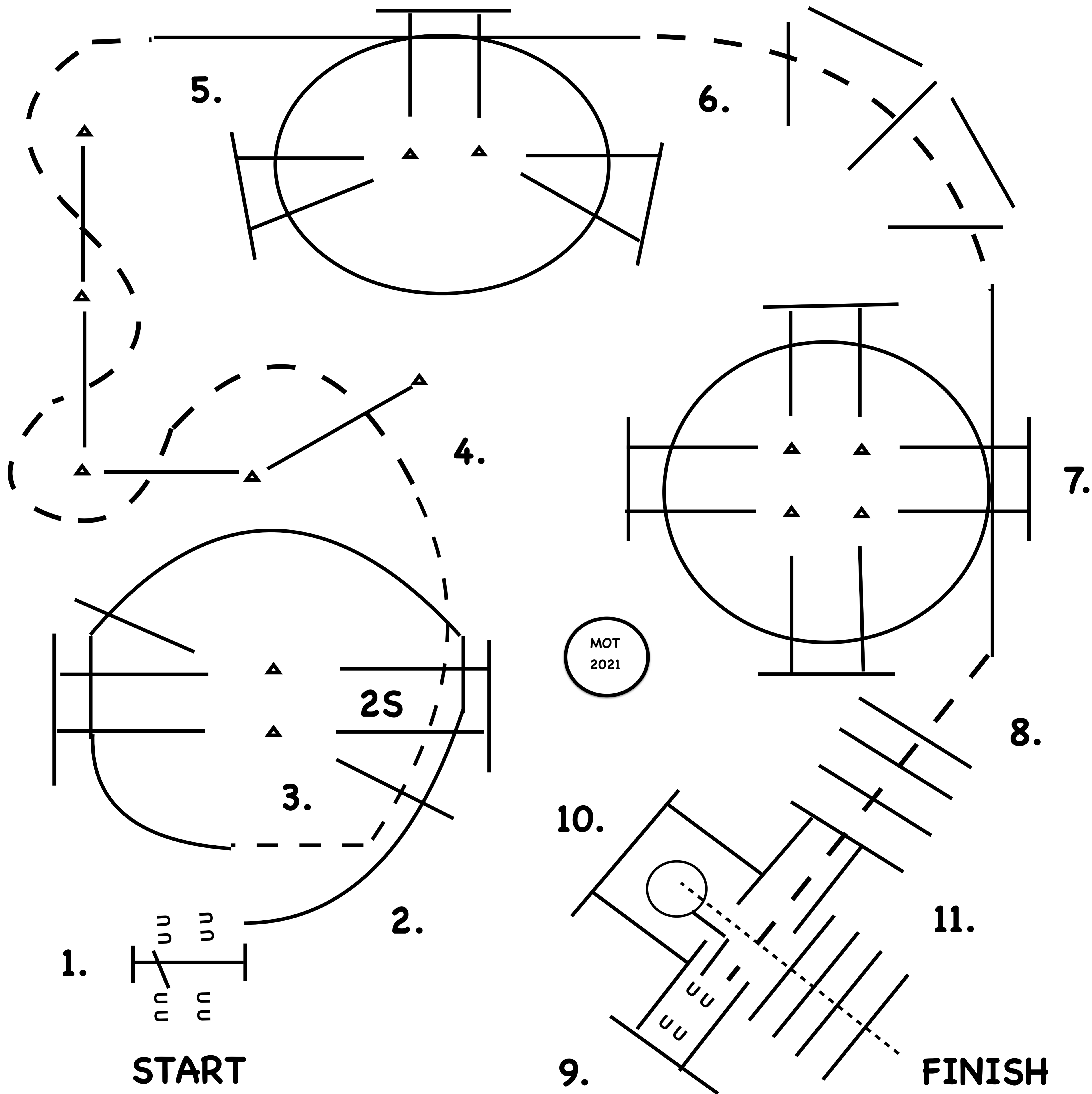


**2021 AQHA REGION 6
SUPER 6
ROUND 2**

**JUNIOR - SELECT - AMATEUR
YOUTH 13 UN, 14-18
SENIOR HORSES**

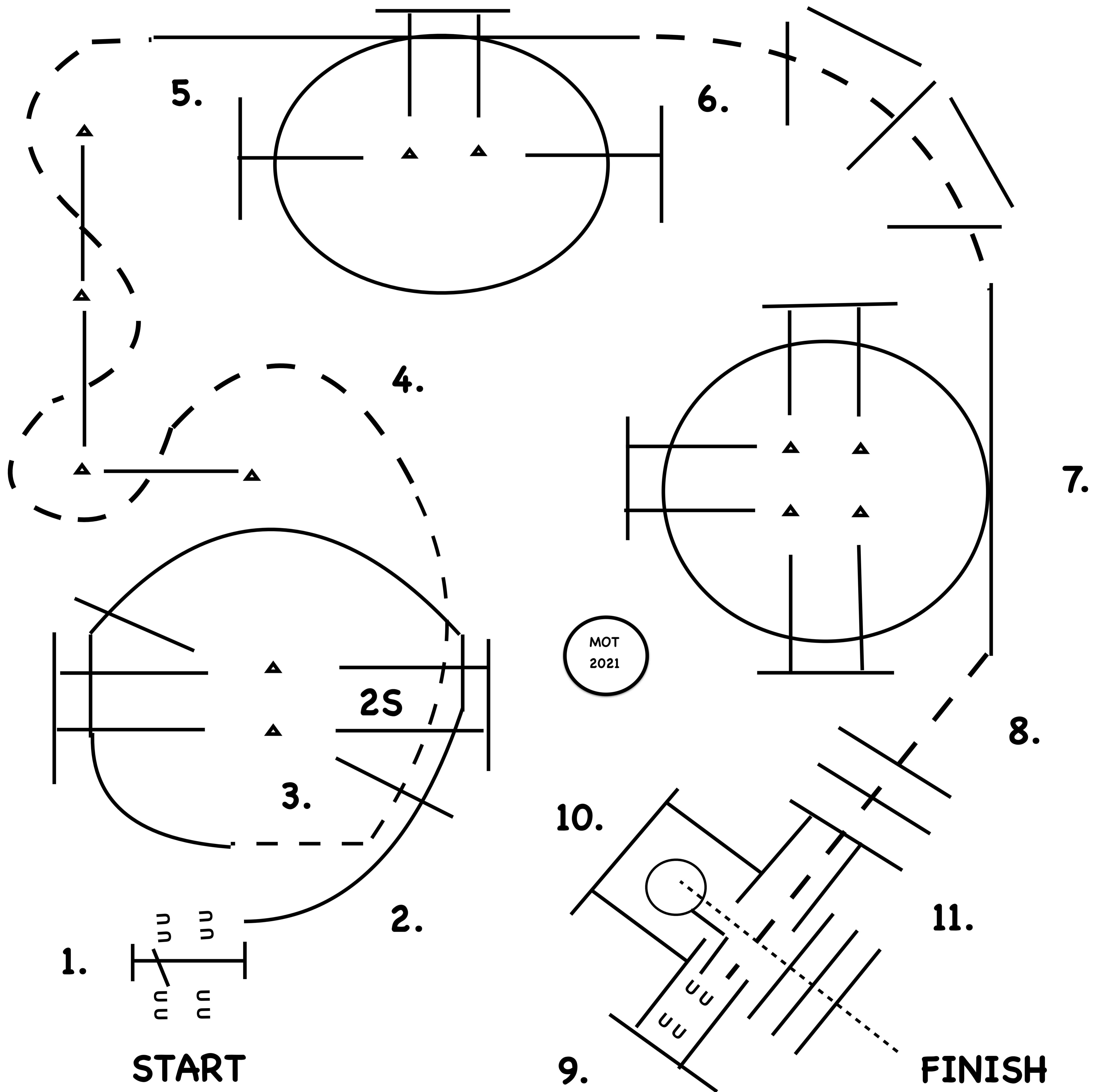


COURSE DESIGNED BY: TIM S. KIMURA COPYRIGHT 2021. ALL RIGHTS RESERVED.

- | | |
|--|---|
| <ol style="list-style-type: none"> 1. WORK GATE RIGHT HAND. 2. LOPE OVER POLES (LEFT LEAD). 3. JOG OVER POLES 4. JOG OVER POLES, JOG AROUND CONES. 5. LOPE OVER POLES (RIGHT LEAD). 6. BREAK TO THE JOG, JOG OVER POLES. 7. LOPE OVER POLES (RIGHT LEAD). | <ol style="list-style-type: none"> 8. BREAK TO THE JOG,
JOG OVER POLES, JOG INTO CHUTE. 9. BACK INTO BOX. 10. EXECUTE A 360 TURN IN EITHER
DIRECTION. 11. WALK OVER POLES |
|--|---|

**2021 AQHA REGION 6
SUPER 6
ROUND 2**

**LEVEL 1, L1 SELECT, L1 AMATEUR
L1 13 & UNDER, L1 14 THRU 18**

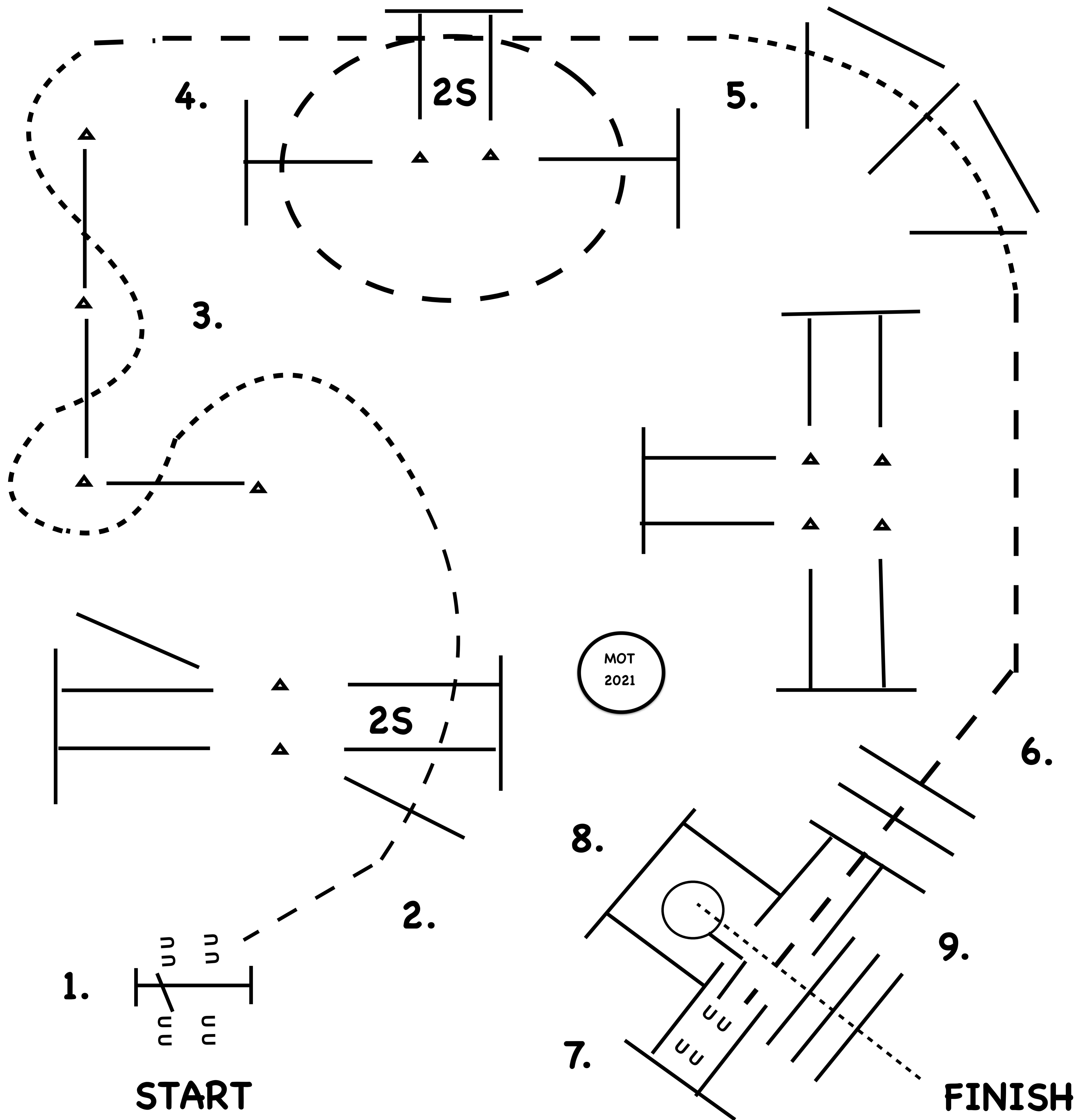


COURSE DESIGNED BY: TIM S. KIMURA COPYRIGHT 2021. ALL RIGHTS RESERVED.

- | | |
|--|---|
| <ol style="list-style-type: none"> 1. WORK GATE RIGHT HAND. 2. LOPE OVER POLES (LEFT LEAD). 3. JOG OVER POLES 4. JOG OVER POLES, JOG AROUND CONES. 5. LOPE OVER POLES (RIGHT LEAD). 6. BREAK TO THE JOG, JOG OVER POLES. 7. LOPE OVER POLES (RIGHT LEAD). | <ol style="list-style-type: none"> 8. BREAK TO THE JOG,
JOG OVER POLES, JOG INTO CHUTE. 9. BACK INTO BOX. 10. EXECUTE A 360 TURN IN EITHER
DIRECTION. 11. WALK OVER POLES |
|--|---|

**2021 AQHA REGION 6
SUPER 6
ROUND 2**

**L1 WT AMATEUR
L1 WT YOUTH
EWD WT TRAIL INDEPENDENT**



COURSE DESIGNED BY: TIM S. KIMURA COPYRIGHT 2021. ALL RIGHTS RESERVED.

- | | |
|---|---|
| <ol style="list-style-type: none"> 1. WORK GATE RIGHT HAND.
EWD NO GATE 2. JOG OVER POLES 3. WALK OVER POLES, WALK AROUND CONES. 4. JOG OVER POLES. 5. BREAK TO THE WALK, WALK OVER POLES. | <ol style="list-style-type: none"> 6. JOG OVER POLES, JOG INTO CHUTE. 7. BACK INTO BOX. 8. EXECUTE A 360 TURN IN EITHER DIRECTION. 9. WALK OVER POLES |
|---|---|

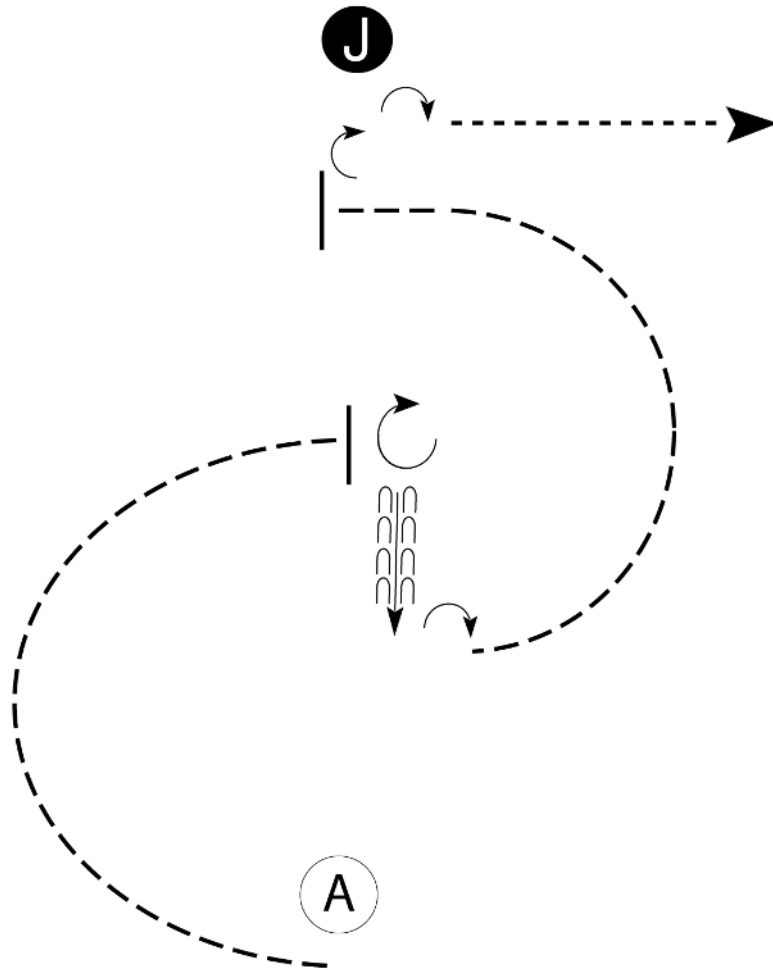
2021 Region 6 Championship Show

Showmanship (Level 1)

Show Date: 07-16-2021

w w w . H o r s e S h o w P a t t e r n s . c o m

w w w . H o r s e S h o w P a t t e r n s . c o m



Be ready at A.

1. Trot a half circle to center of pattern.
2. Stop and perform a 3/4 turn.
3. Back one horse length.
4. Perform a 1/4 turn.
5. Trot a half circle.
6. Perform a 1/4 turn and set up for inspection.
7. When dismissed, perform a 1/4 turn.
8. Walk to exit.

Follow the instructions of your ring steward.

Walk	-----
Trot	—————
Back	←————
Marker	ⓑ
Judge	ⓙ

[S/1-86]

Pattern Provided by:

The Judges

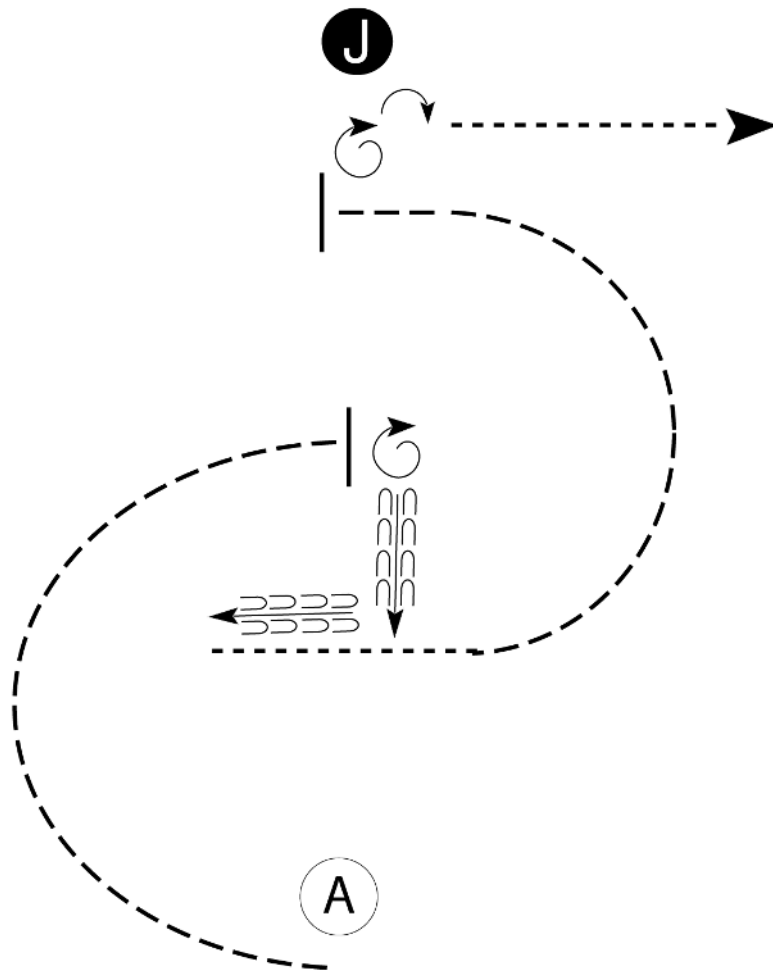
2021 Region 6 Championship Show

Showmanship (13&Under, 14-18, Amateur and Select)

Show Date: 07-16-2021

w w w . H o r s e S h o w P a t t e r n s . c o m

w w w . H o r s e S h o w P a t t e r n s . c o m



Be ready at A.

1. Trot a half circle to center of pattern.
2. Stop and perform a 1 3/4 turn.
3. Back a square corner.
4. Walk 2-3 horse lengths.
5. Trot a half circle.
6. Perform a 1 1/4 turn and set up for inspection.
7. When dismissed, perform a 1/4 turn.
8. Walk to exit.

Follow the instructions of your ring steward.

Walk	-----
Trot	—————
Back	← 〰〰〰〰
Marker	Ⓚ
Judge	Ⓝ

[S/3-86]

Pattern Provided by:
The Judges

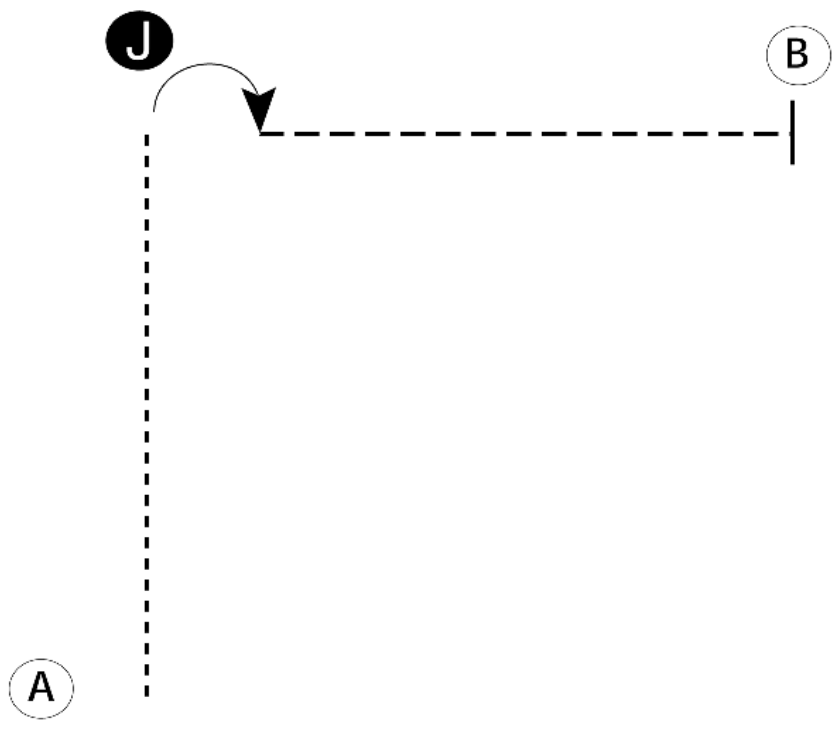
2021 Region 6 Championship Show

Showmanship (Small Fry/EWD)

Show Date: 07-16-2021

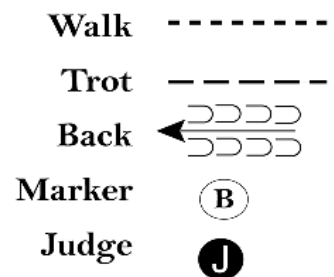
w w w . H o r s e S h o w P a t t e r n s . c o m

w w w . H o r s e S h o w P a t t e r n s . c o m



Be ready at A.

1. Walk from A to Judge.
2. Stop and set up for inspection.
3. When dismissed, perform a 90 degree turn.
4. Trot away from judge to B.
5. Stop at B.
6. Follow the instructions of your ring steward.



[S/WT-7]

Pattern Provided by:
The Judges

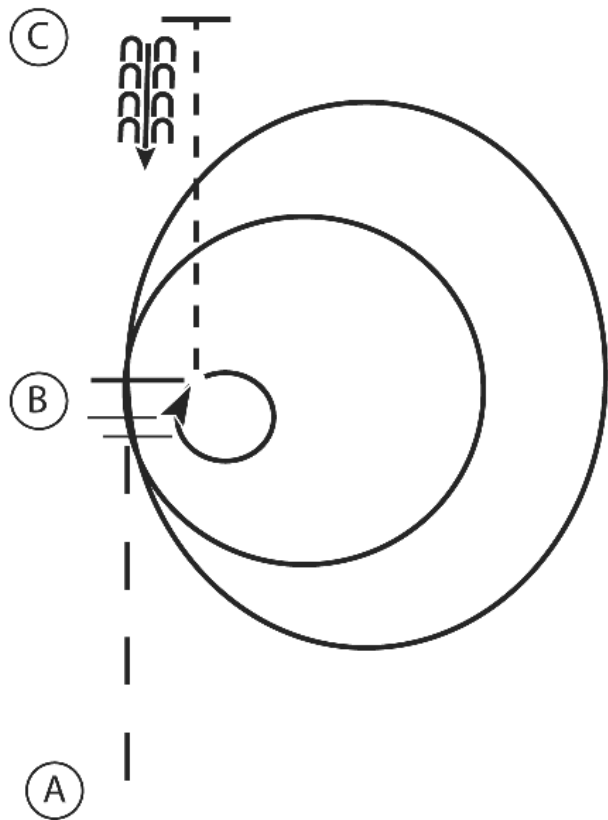
2021 Region 6 Championship Show

Horsemanship (13&Under, 14-18, Amateur and Select)

Show Date: 07-16-2021

w w w . H o r s e S h o w P a t t e r n s . c o m

w w w . H o r s e S h o w P a t t e r n s . c o m



1. Extend the jog A to B
2. At B lope a circle to the right on the left lead
3. At B change leads and continue with speed in a circle to the right
4. Stop at B and perform a 360 to the right
5. Jog B to C
6. Stop at C and back 4 steps

Walk
Jog	-----
Extended Jog	-----
Lope	—————
Leg Yield	
Lead Change	———/———
Back	←←←← →→→→
Marker	ⓑ
Sidepass	←-----→

[WH/3-14]

Pattern Provided by:

The Judges

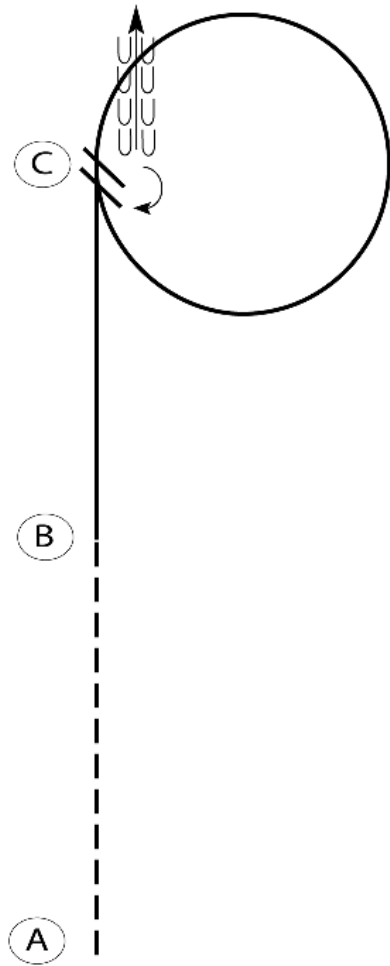
2021 Region 6 Championship Show

Horsemanship (Level 1)

Show Date: 07-16-2021

w w w . H o r s e S h o w P a t t e r n s . c o m

w w w . H o r s e S h o w P a t t e r n s . c o m



Be ready at A.

1. Jog from A to B.
2. Lope on the left lead to C.
3. At C, change leads and lope a circle to the right
4. Even with C, stop and do a 180 degree turn to the right.
5. Back one horse length
6. Retire to the rail or line up at a jog.

Walk	-----
Jog	- - - - -
Extended Jog	- - - - -
Lope	—————
Leg Yield	
Lead Change	↘
Back	← ← ← ← ←
Marker	⊙ B
Sidepass	← ← ← ← ←

[WH/3-19]

Pattern Provided by:

The Judges

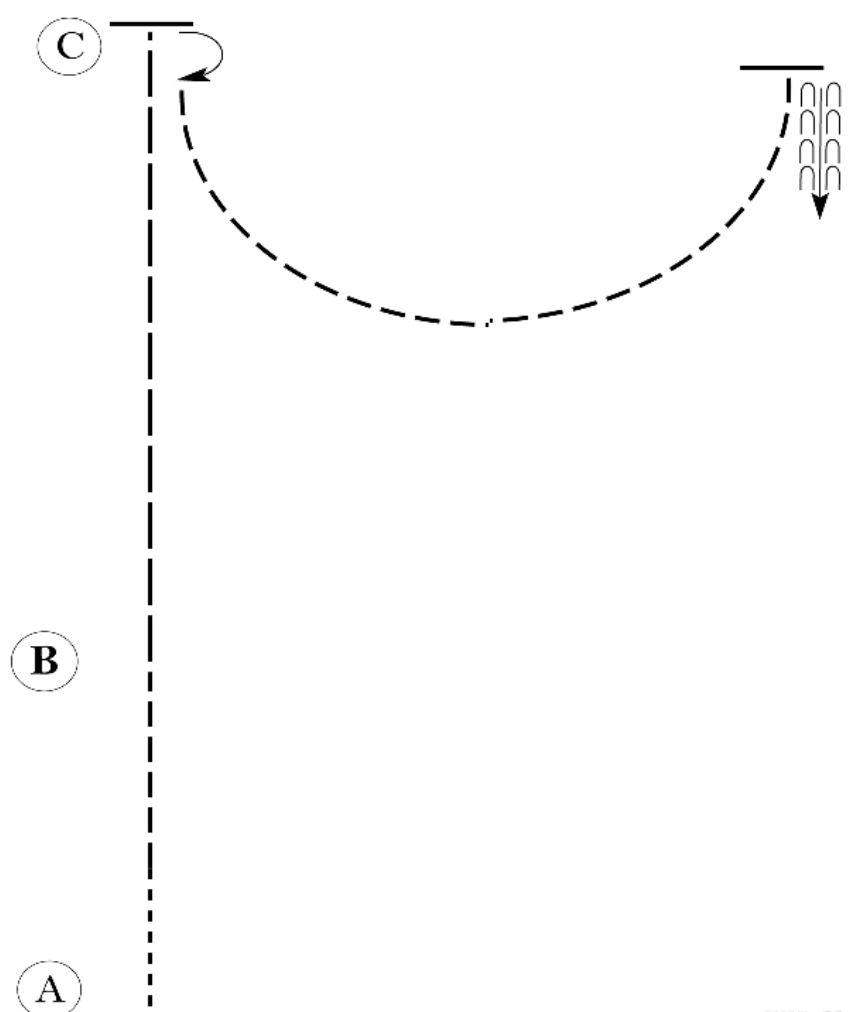
2021 Region 6 Championship Show

Horsemanship (Level 1 Walk Trot/Small Fry/EWD)

Show Date: 07-16-2021

w w w . H o r s e S h o w P a t t e r n s . c o m

w w w . H o r s e S h o w P a t t e r n s . c o m



Be ready at A.

1. Walk approximately 2 horse lengths from A.
2. Jog to B.
3. Extend the jog to C.
4. Stop at C and turn 1/2 turn to the right.
5. Jog in a half circle until even with C.
6. Stop and back approximately one horse length.

Follow the instructions of your ring steward.

Walk	-----
Jog	- - - - -
Extended Jog	- - - - -
Lope	_____
Leg Yield	
Lead Change	↘
Back	←←←←←
Marker	⊙ B
Sidepass	←←←←←

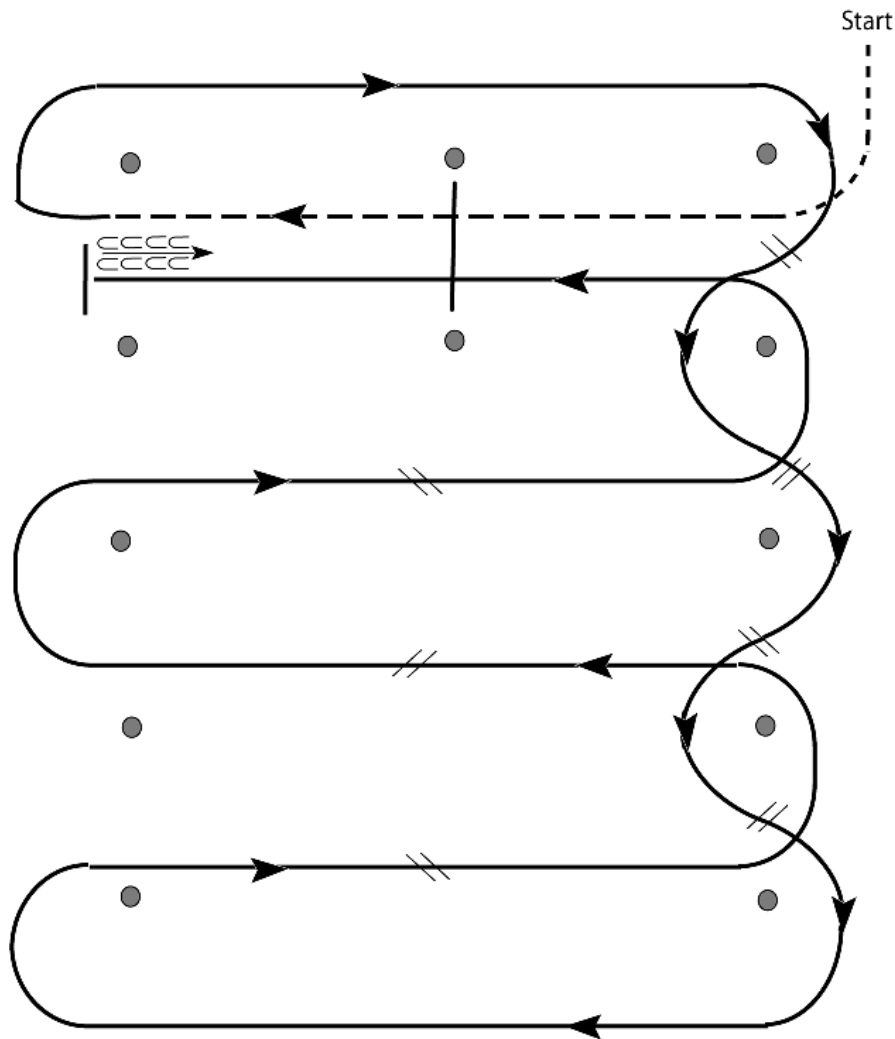
[WH/WT-60]

Pattern Provided by:
The Judges

2021 Region 6 Championship Show

Western Riding (Open, Amateur, Youth)

Show Date: 07-16-2021



1. Walk, transition to jog, jog over log.
2. Transition to right.
3. First line change.
4. Second line change.
5. Third line change.
6. Fourth line change.
7. First crossing change.
8. Second crossing change.
9. Third crossing change.
10. Lope over log.
11. Lope, stop and back.

[WR/OP-4]

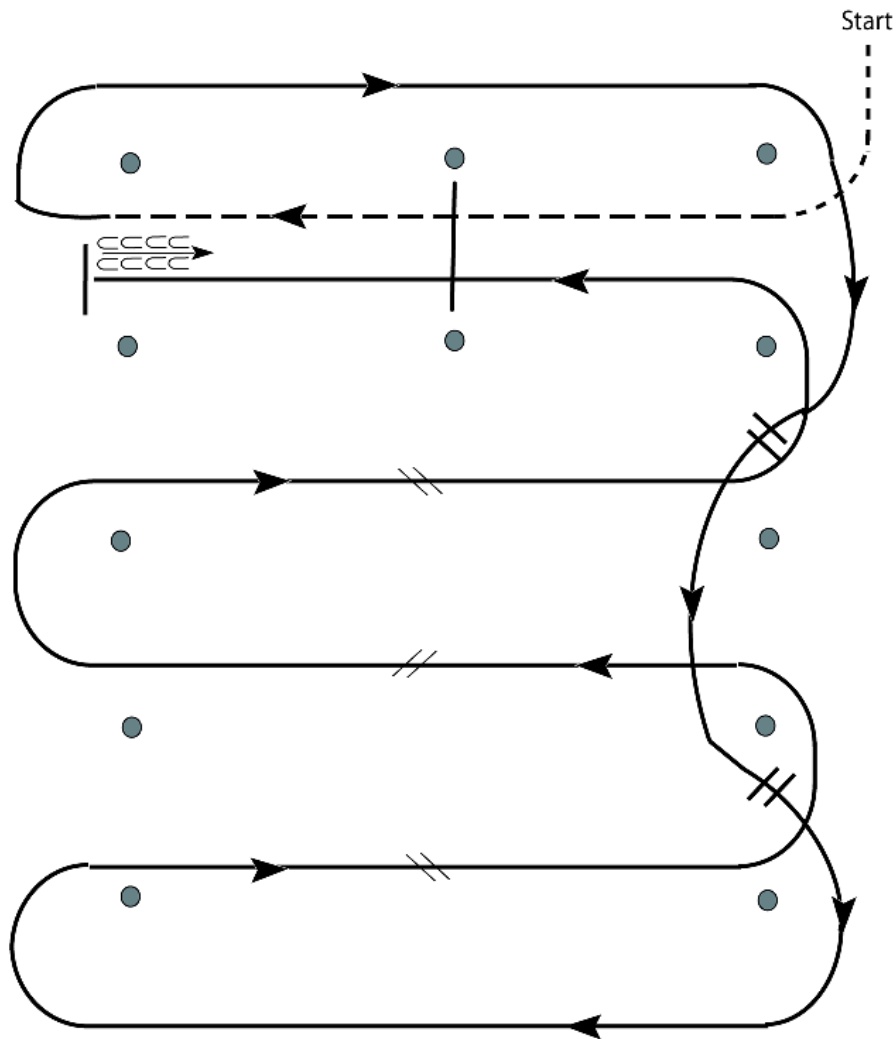
Pattern Provided by:

The Judges

2021 Region 6 Championship Show

Western Riding (Level 1)

Show Date: 07-16-2021



1. Walk, transition to jog, jog over log.
2. Transition to right lead and lope around end.
3. First line change.
4. Second line change. Lope around end of arena.
5. First crossing change.
6. Second crossing change.
7. Third crossing change.
8. Lope over log.
9. Lope, stop and back.

[WR/GP-4]

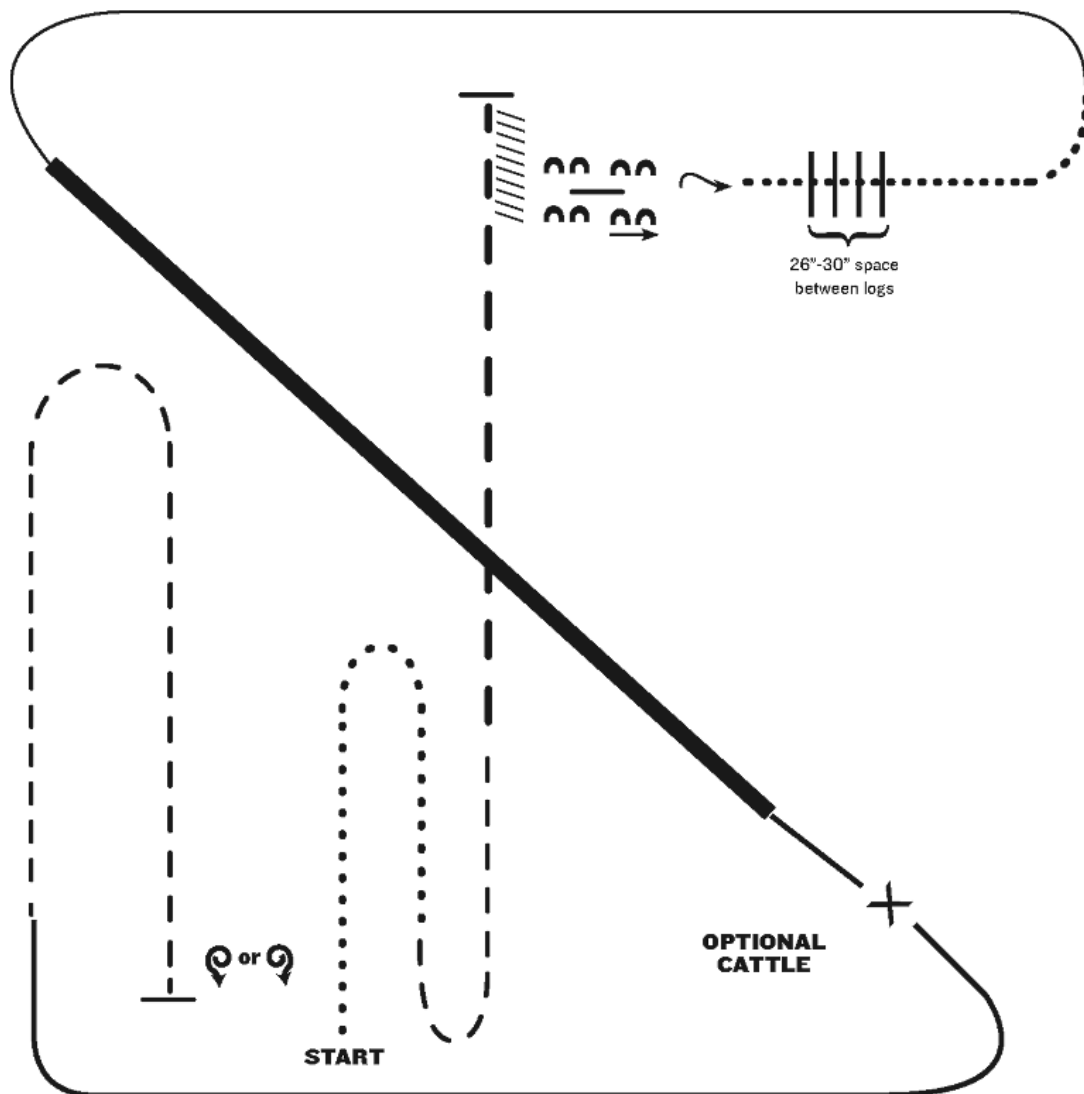
Pattern Provided by:

The Judges

2021 Region 6 Championship Show

Ranch Riding (All)

Show Date: 07-16-2021



1. Walk
2. Trot
3. Extended trot
4. Stop and back
5. Side pass over log right
6. 1/4 turn right, walk over logs
7. Walk
8. Lope left lead
9. Extended lope (left lead)
10. Collect lope, change leads (simple or flying)
11. Lope right lead
12. Trot
13. Stop, one 360 degree turn either direction

Note: The drawn description of this pattern is only intended for the general depiction of the pattern. Exhibitors should utilize the arena space to best exhibit their horses.

[RR/AQHA-7]

Pattern Provided by:

The Judges

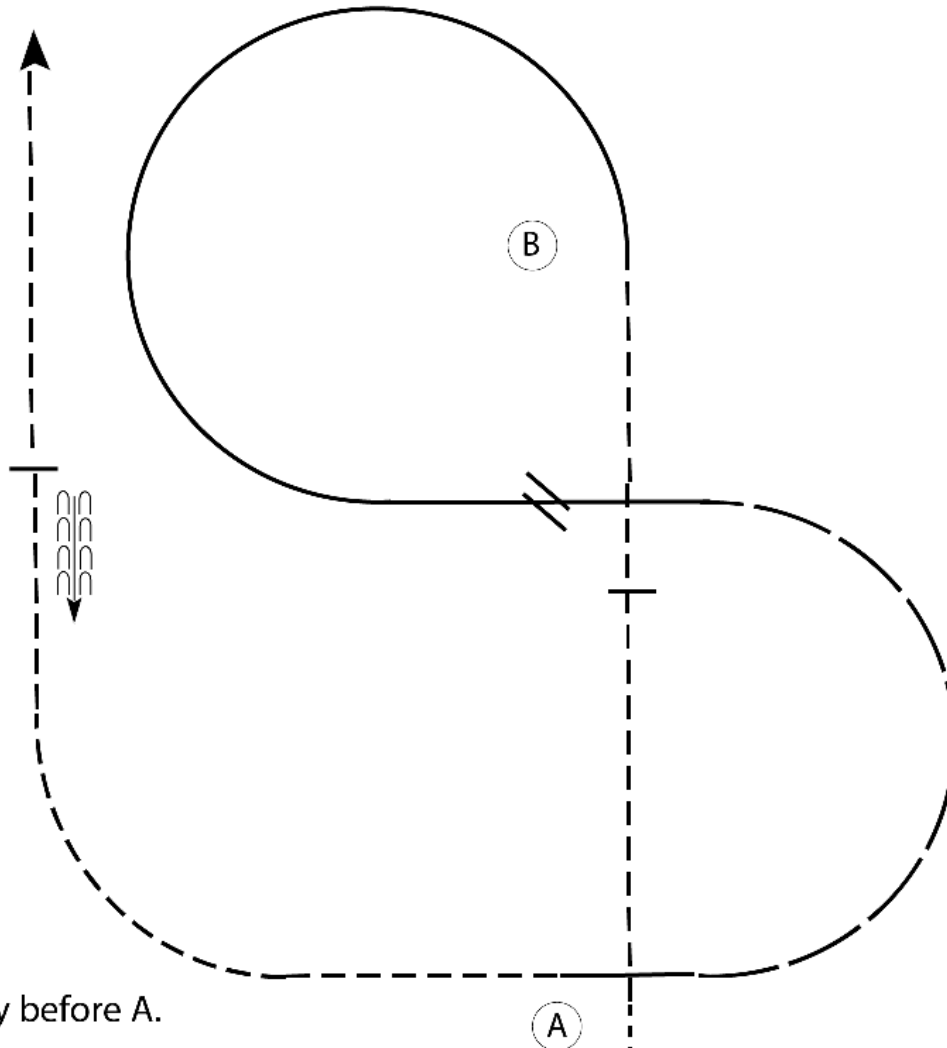
2021 Region 6 Championship Show

Hunt Seat Equitation (13&Under, 14-18, Amateur and Select)

Show Date: 07-16-2021

www.HorseShowPatterns.com

www.HorseShowPatterns.com



Be ready before A.

1. Walk to A. Left diagonal trot halfway to B.
2. Halt for 3 seconds. Right diagonal trot to B.
3. Left lead canter in circle to center of pattern.
4. Change leads.
5. Right lead canter a few strides then hand gallop in half circle until even with A.
6. Demonstrate a sitting trot for 3-4 strides then trot in a 2 point position around corner and halfway down line.
7. Halt and back approximately one horse length. Sitting trot to exit.

Walk	-----
Trot	- - - - -
Extended Trot	-----
Canter	—————
Leg Yield	
Lead Change	— / —
Back	← ← ← ← ←
Marker	⊙
Sidepass	← — — — — →
Hand Gallop	———

[HSE/3-83]

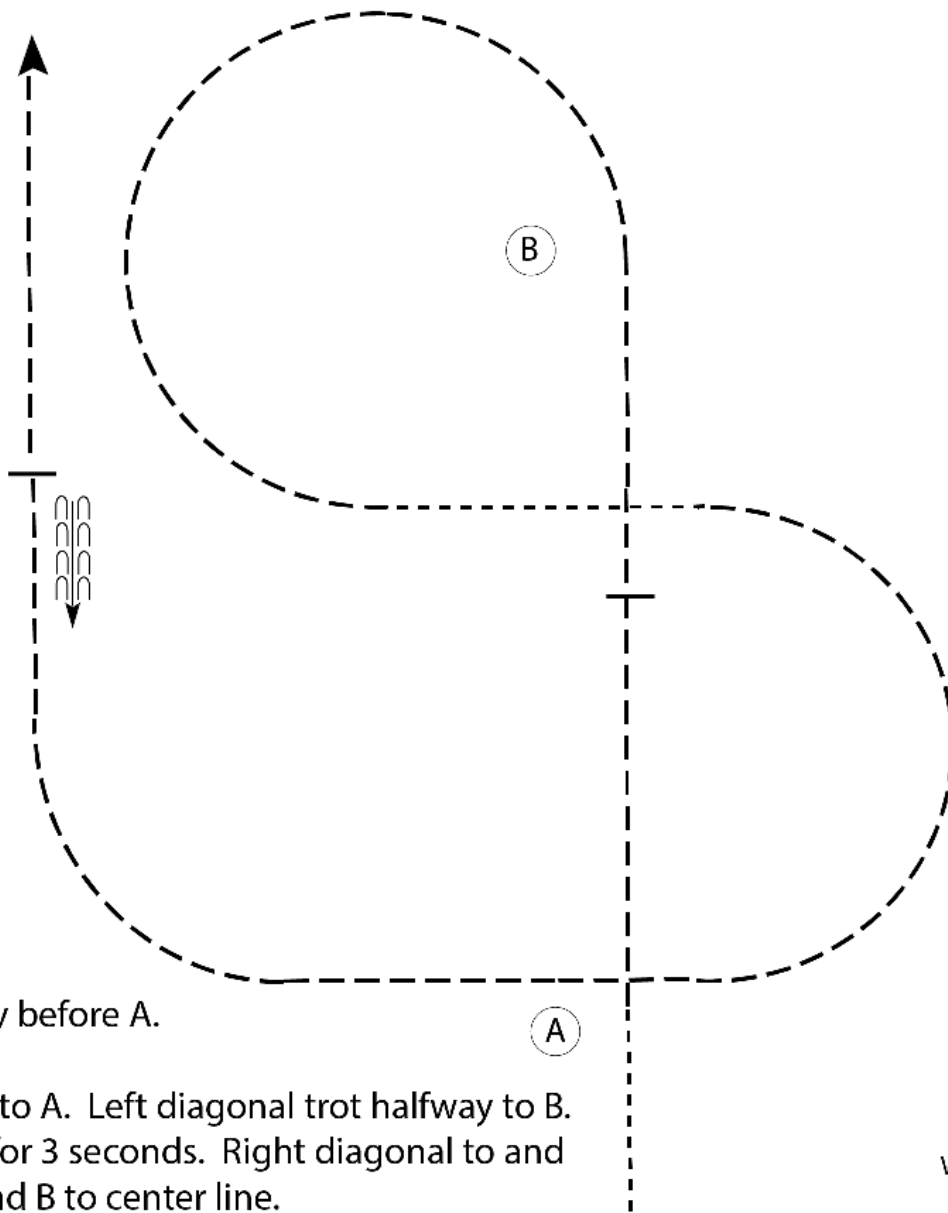
Pattern Provided by:

The Judges

2021 Region 6 Championship Show

Hunt Seat Equitation (Level 1 Walk Trot/Small Fry/EWD)

Show Date: 07-16-2021



Be ready before A.

1. Walk to A. Left diagonal trot halfway to B.
2. Halt for 3 seconds. Right diagonal to and around B to center line.
3. Walk 3-4 strides.
4. Trot on left diagonal in half circle to A
5. Sitting trot around corner and halfway down line.
6. Halt and back approximately one horse length. Sitting trot to exit.

Walk	-----
Trot	- - - - -
Extended Trot	-----
Canter	-----
Leg Yield	
Lead Change	↖ ↗
Back	←←←←←
Marker	⊙ B
Sidepass	←-----→
Hand Gallop	-----

[HSE/WT-83]

Pattern Provided by:

The Judges

w w w . H o r s e S h o w P a t t e r n s . c o m

w w w . H o r s e S h o w P a t t e r n s . c o m

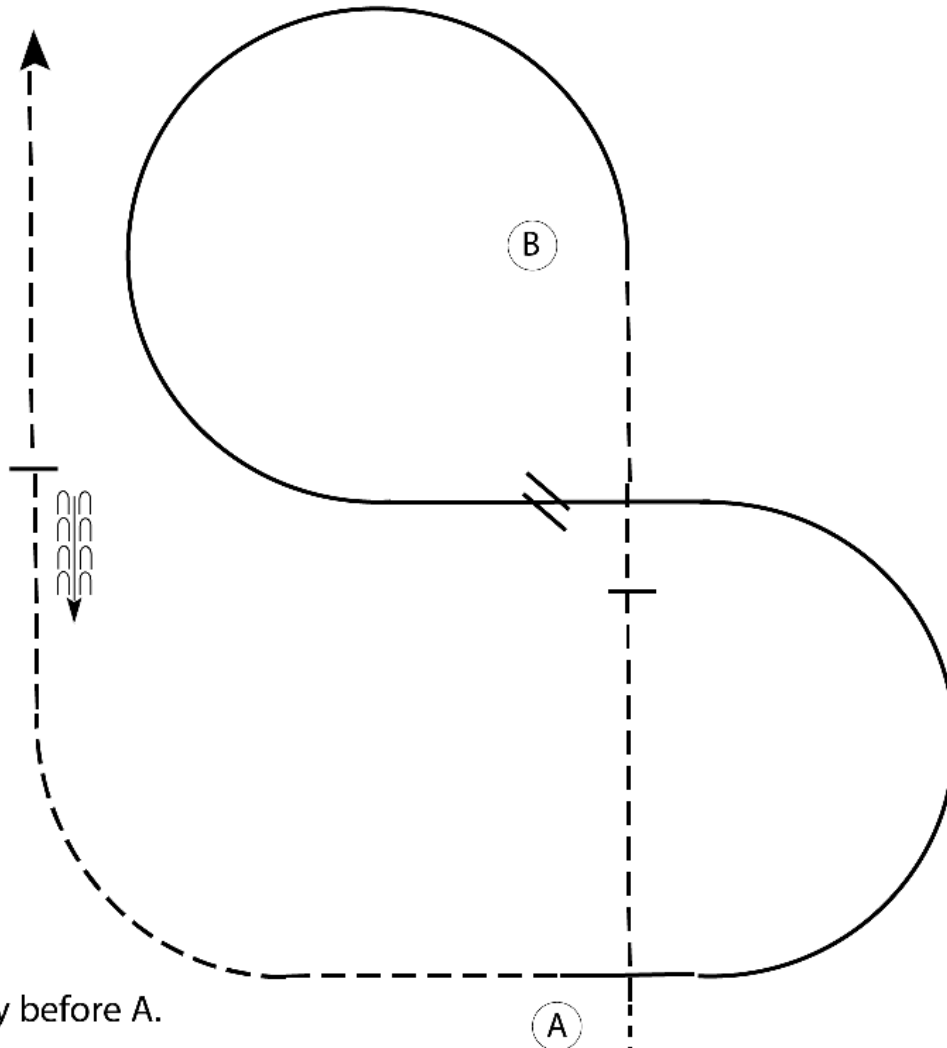
2021 Region 6 Championship Show

Hunt Seat Equitation (Level 1)

Show Date: 07-16-2021

w w w . H o r s e S h o w P a t t e r n s . c o m

w w w . H o r s e S h o w P a t t e r n s . c o m



Be ready before A.

1. Walk to A. Left diagonal trot halfway to B.
2. Halt for 3 seconds. Right diagonal trot to B.
3. Left lead canter in circle to center of pattern.
4. Change leads.
5. Right lead canter in a half circle to A.
6. Trot left diagonal around corner and halfway down line.
7. Halt and back approximately one horse length. Sitting trot to exit.

Walk	-----
Trot	- - - - -
Extended Trot	- - - - -
Canter	—————
Leg Yield	
Lead Change	////
Back	←←←←←
Marker	Ⓚ
Sidepass	←- - - -→
Hand Gallop	—————

[HSE/1-83]

Pattern Provided by:

The Judges